

---

## FLP SIMPLEX TEMPERATURE SENSOR

DPI-20FS



---

We have sensors for a wide variety of temperature applications. High temperature applications, Laboratory Applications, Validation of Tray Driers/ Autoclaves/ Clean rooms etc.

**Polmon provides a range of RTD & thermocouple sensors and the associated assembly. Polmon make RTD's are built to DIN standards. We also provide customized sensors with assemblies for specific applications.**

### Features

- Class A Simplex RTD sensor element
- Three wire construction
- Test & calibration certificates

### Applications

- Bulk Drug Industries
- Pharmaceuticals
- Mines
- Petrochemical Industries

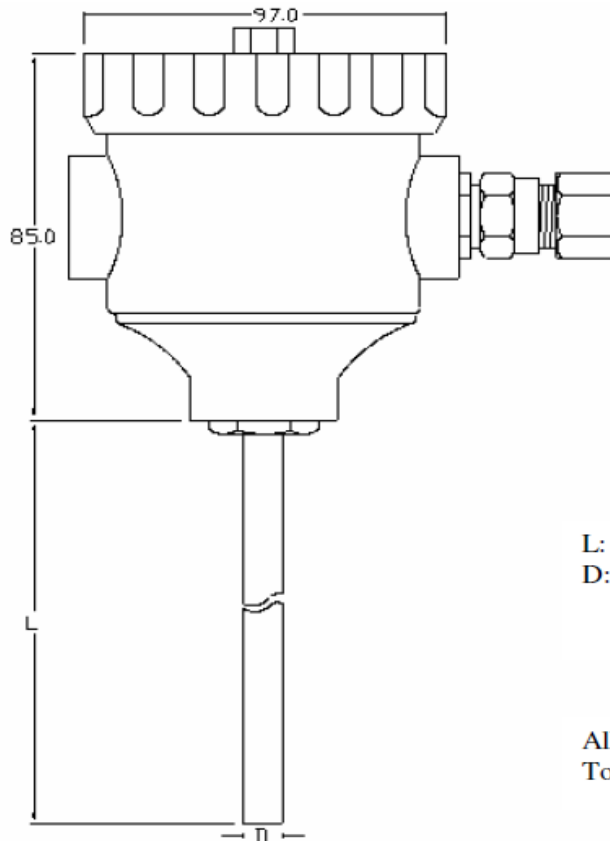
# Specifications

Technical		Physical	
Model No.	DPI-20-F-S-X-X	Terminal Head	Flame proof CIMFR/TC/P/H761
Measurement Range	-50°C to 350°C	Sheath Material	Seamless SS 316
Element Type	RTD pt 100 Class A, (DIN 43760 Std.) wire type	Cable Type	7/34, AWG 3Core Teflon
Accuracy	$\pm(0.15+0.002 * t)^{\circ} \text{C}$ Where 't' is the measured temperature	Sensor Length	1 foot Std. (Other lengths to be specified while ordering)

Ordering Information for DPI 20									
DPI 20	X	X	X	X	X	X	X	XXXX	XXXX
Model No.	Terminal Head Type	Sensor Type	Element Type	Sheath Diameter	Sheath Material	Locknut Welded	Certificate	Sensor Length (Cms) *	Locknut welding distance from bottom (cms)
DPI 20	F- FLP With ¼" UNF, FLP Gland	S – Simplex	1 – Pt 100 Class A	1 - $\phi 4$	1 – SS316	X – No	1- In-house		
	R-NFLP With ¼" UNF, NFLP Gland	D – Duplex	2 – Pt 100 Class B	2 - $\phi 6$	2 – Ceramic	Y- Yes **	2 - ETDC		
			3 – Pt 1000		3 – Ceramic310				
			4 – J Type	3 - $\phi 8$	4– MI Insulated				
			5 – K Type	4 - $\phi 12$	5 – Bar stock SS316				
			6 – R Type	5 - $\phi 16$	6 - Glass				
			7 – S Type	6 - $\phi 19$					
			8 – T Type	7 - $\phi 25$					
				N – Non Standard					

Note: \*\*Order DPI - 22

## MECHANICAL DRAWING OF DPI 20 FS



L: Customer Scope  
 D: Sheath diameter (OD)  
 8mm,6mm,4mm

All Dimensions are in mm.  
 Tolerance :  $\pm 5$  mm.