



Polmon's series of temperature instruments are specially designed and manufactured for the measurement of temperature in process industries like chemical, pharmaceutical, cement etc. where temperature plays a vital role and its measurement & control being accurate.

Features

- 3 wire RTD, lead wire resistance compensation
- 3-point calibration for RTD input
- 2-point calibration for mA input
- Big display (1inch) high intensity

- Sensor open/burn out indication
- Flame Proof for Zone1 Zone2 Gas Gr.IIA, IIB
- Test & calibration certificate traceable to National standards

Applications

- Ovens
- Driers

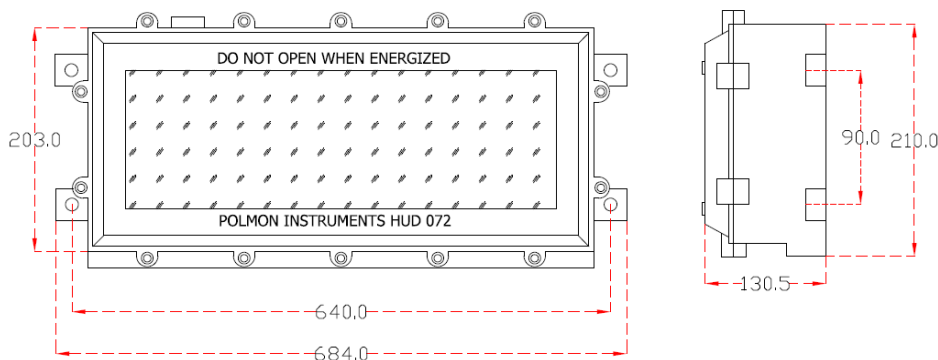
Specifications

Technical		
Model No.	DPI061-F-1-0-1-1-X	DPI061-F-2-0-1-1-X
No. of Inputs	6	
Input type	RTD Pt100 (DIN43760 Std) 3 wire	4-20mA
Measuring Range	-50.0°C to 199.9°C	As per ordering
Accuracy	0.1% of FSD	±0.1% of FSD ±1 Count
Resolution	0.1°C	As per ordering
Calibration	3 Point Calibration (0%, 50%, 100% of Full Scale)	
Display	1" 7 Segment, high intensity Red (3½ or 4 digit)	
Power Supply		
Input Supply	220V AC, 50 Hz, 10 VA	
Physical		
Dimensions	684X203X130mm	
Enclosure	Aluminium alloy	
Mounting	Wall mounting	
Weight	15.0Kgs (Approx)	
Cable Entries	FLP DC Glands – 7 No's	
Glands/Dummies	Not Provided (Order Separately)	
Environmental		
Operating temperature	10 to 60°C	
Humidity	10-95%RH, Non condensing	

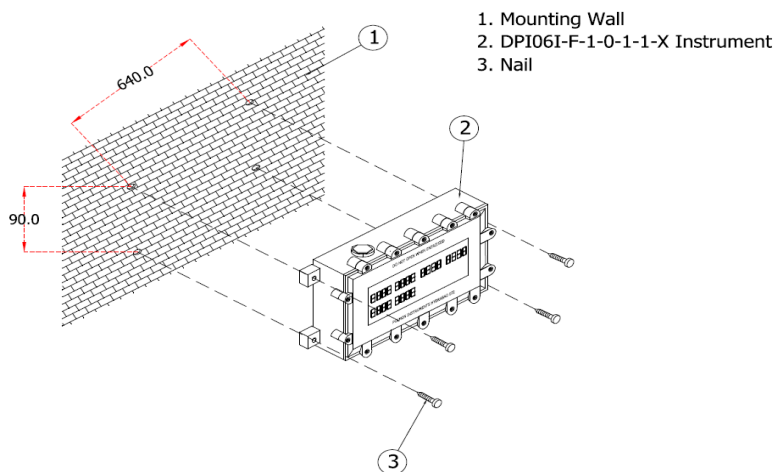
Ordering Information for DPI061						
DPI061	X	X	X	X	X	X
Model No	Enclosure Type	Input Type	Output	Digit DPM	Power Supply	Future Use
DPI061	F – FLP	1 – RTD Low	0 – No	1 – 3 1/2digit	1 – 230V	X
	R – NFLP	2 – 4-20mA *				

*Note: Specify the range & Decimal point.

Mechanical Drawing of DPI061-F



Installation Drawing of DPI061-F



Head Office: POLMON INSTRUMENTS PVT.LTD
 (AN ISO 9001: 2015 Certified Company)
 "POLMON HOUSE" Nizampet Road, Kukatpally, Hyderabad-500085
 Ph No: 040-23053046, 23057308
 e-mail: polmon@polmon.com URL: www.polmon.com

All specifications are subject to change without notice.
 Doc. Ref. DPI061-F/121121/V1.1