

# TEMPERATURE INDICATOR

# TET-91I



The "TEMPERATURE INDICATOR" (TET-91I)" is specially designed to measure the temperature and display it or to transmit current signal to the process indicators or data loggers, which can help the user to monitor the temperature and to take necessary actions to maintain the room conditions as per the requirement or application

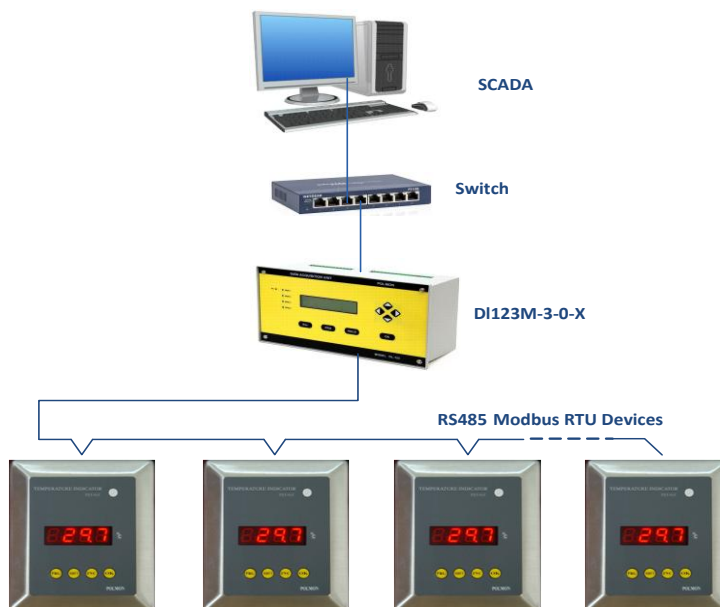
### Features

- Inbuilt sensor
- Absolute accuracy  $\pm 0.2\%$  of FSR
- RS-485/4-20mA/Relay output
- Wall mounting
- Sensor break detection
- Alarms indication for set values

### Applications

- HVAC
- Pharmaceutical Industry
- Blood Banks
- Horticulture

### Network Architecture



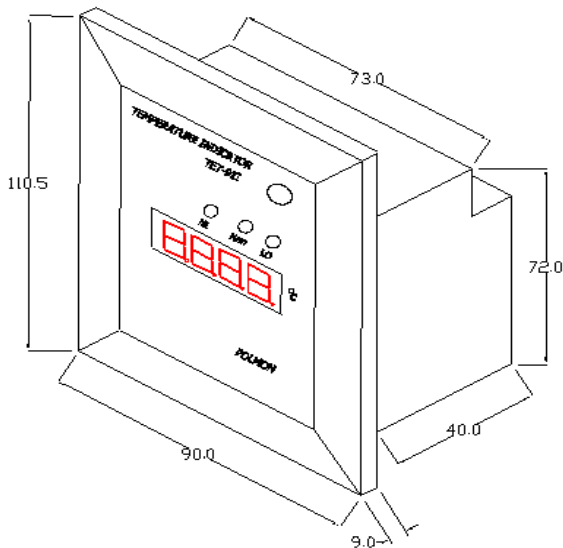
# Specifications

Technical	
Model No	TET91I-R-X-X-X
Input Type	Inbuilt sensor
Measurement Range	0°C to 60°C
Accuracy	±1°C
Resolution	0.1°C / 1°C
Output	RS-485 modbus (or) Proprietary
	Relay ((1 - NO, NC) 4-20mA retransmission O/P @500 Ω Load
Display Type	7 Segment 0.39" LED Display
Sensor	Digital Output
Keypad	Tactile keys
Calibration	Software

Power Supply	
Power supply	24VDC, ±7.5% 200mA
Physical	
Enclosure	MS Enclosure with North West single window SS faceplate
Dimensions (LxWxH)	73X72X40 mm (Approx.)
Weight	0.25 kg (Approx.)
Mounting	Brick / Modular wall mounting
Environmental	
Operating Temperature	10 - 60°C
Humidity	10-95%RH, Non-Condensing

Ordering Information for TET-91I				
TET-91I	X	X	X	X
Model No.	Enclosure Type	O/P Type	Display Type	Future Use
TET-91I	R-NFLP	1 - RS-485 Communication (Proprietary/Modbus)	0-No Display, No Alarms	X
		2 - 4-20mA	1 - Display, With Alarms	
		3 - Relay		

Mechanical Drawing for TET-91I



Installation Drawing for TET-91I

