

TEMPERATURE TRANSMITTER

TET-90T



Temperature transmitter (Model.No.TET-90T) is designed to measure the physical parameter temperature and to transmit 4-20mA current signal to the process indicators or data loggers, which can help the user to monitor the temperature and to take necessary actions to maintain the room conditions as per the requirement or application. The following are the main application areas where transmitters play an important role.

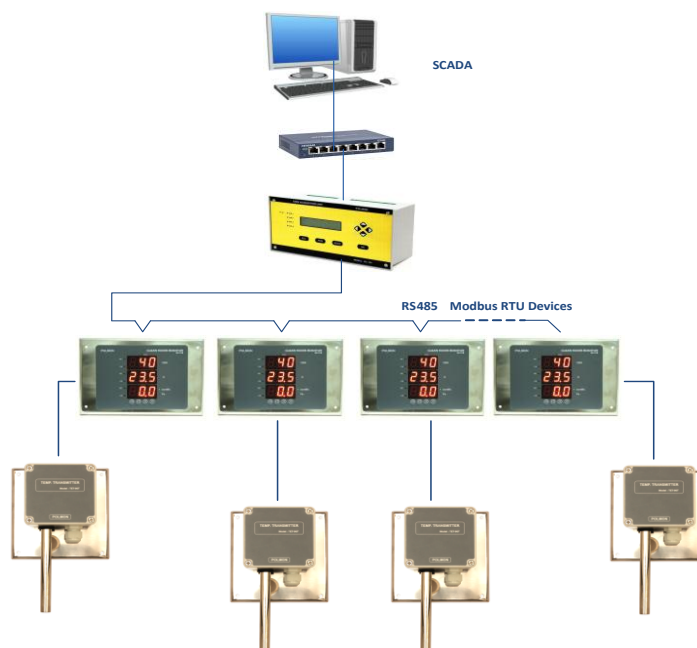
Features

- Inbuilt sensor (PT100)
- Absolute accuracy $\pm 0.3\%$ of FSR (Including Sensor accuracy)
- 4-20mA linear output
- Fine Zero and Span adjustment
- Wall mounting/Duct mounting type versions
- Sensor break detection

Applications

- HVAC
- Pharmaceutical industry
- Blood Banks
- Horticulture

Network Architecture



Specifications

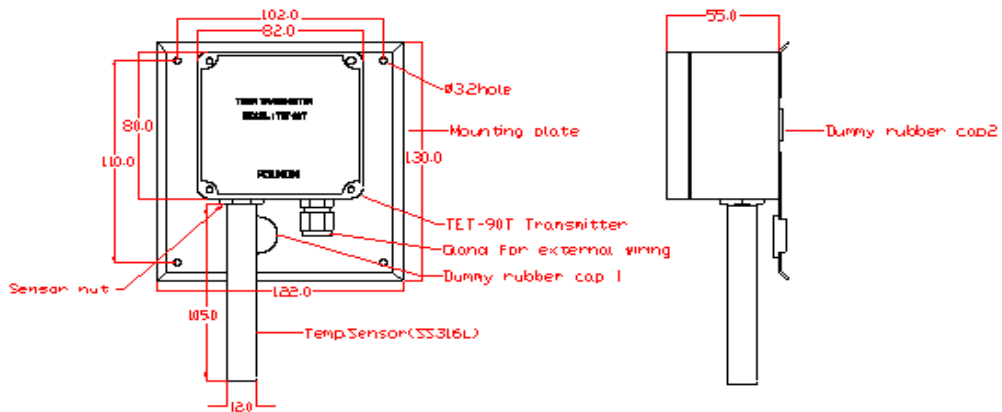
Technical	
Model No	TET-90T
Input Type	Pt100, 3-wire connection
Measurement Range	-50°C to 50°C
Accuracy	±0.3% of FSR
Output	4-20mA Linear Max Load resistance = (Supply voltage – 7.5V/20mA)– Loop wire resistance
Calibration	Zero Adjustment: 10°C Span Adjustment: 10°C
Sensor open fault signal	≈27mA output
Sensor short fault signal	≈2.2mA output

Power Supply	
Power supply	12VDC to 30VDC, 30mA
Physical	
Enclosure	High impact ABS plastic
Dimensions (LxWxH)	132x122x60mm
Weight	0.3Kg. (Approx.)
Environmental	
Operating Temperature	10 - 50°C
Humidity	10-95%RH, Non-Condensing

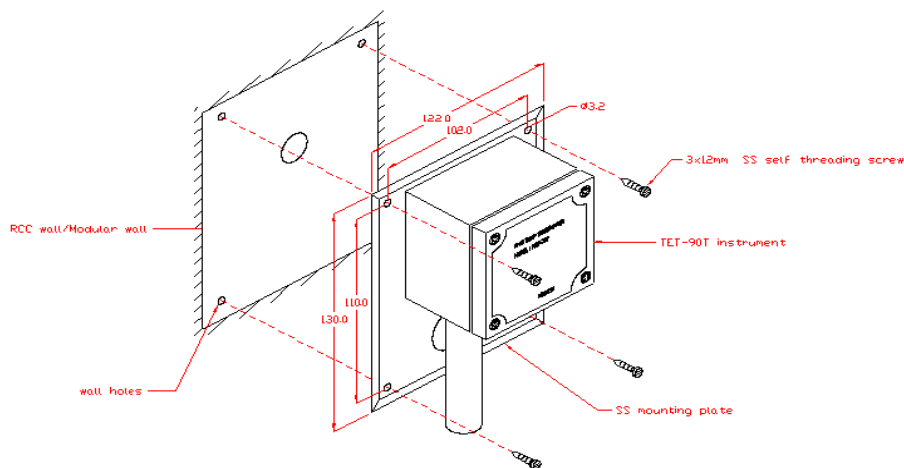
Ordering Information for TET-90T		
TET-90T	X	X
<i>Model No</i>	<i>Measurement Range</i>	<i>Mounting</i>
TET90T	1 - -50 to 50°C	1 - Wall Mounting
		2 - Duct Mounting
		3 - Flush Mounting ** (Brick wall Mounting)

**Order compulsory for RHT70B-1-1

Mechanical Drawing for TET-90T



Installation Drawing for TET-90T



Head Office: POLMON INSTRUMENTS PVT.LTD
 (AN ISO 9001: 2015 Certified Company)
 "POLMON HOUSE" Nizampet Road, Kukatpally, Hyderabad-500085
 Ph No: 040-23053046, 23057308
 e-mail: polmon@polmon.com URL: www.polmon.com

All specifications are subject to change without notice.
 Doc. Ref. TET-90T/121121/V1.1