

RH & TEMPERATURE TRANSMITTER

RHT-70T



Inbuilt Sensor

Temperature compensation for RH sensor

Fast RH response time

RH & Temperature transmitter (Model.No.RHT-70T) is designed to measure the physical parameters moisture content in the air (RH) and temperature and to transmit voltage/current signal to the process indicators or data loggers, which can help the user to monitor the RH & Temperature and to take necessary actions to maintain the room conditions as per the requirement or application. The following are the main application areas where transmitters play an important role

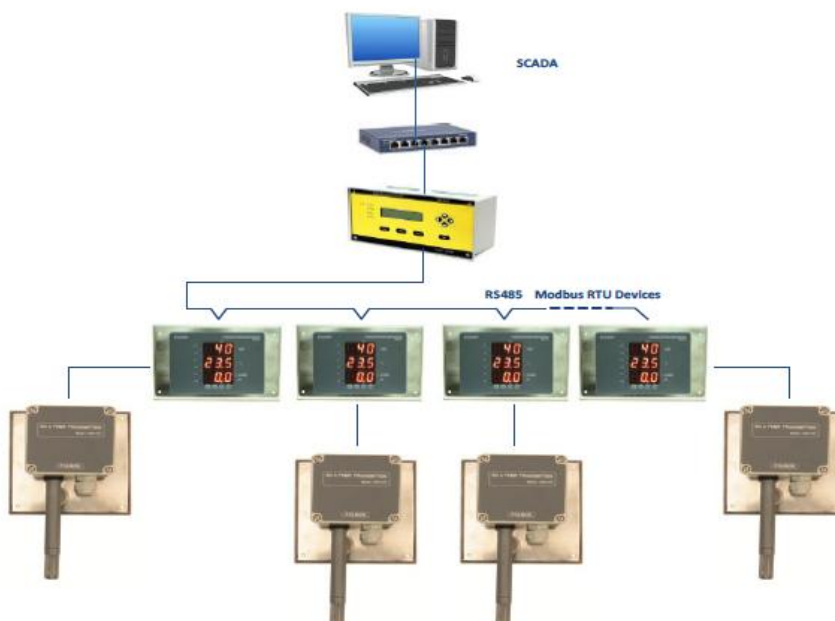
Features

- Relative humidity & Temperature sensors on one module
- Inbuilt sensor
- Absolute accuracy $\pm 2\%$ of FSR @ 23°C for RH & $\pm 0.3\%$ of FSR for Temp
- Temperature compensation for RH sensor
- Ensures long term stability
- Fast RH response time
- 4-20mA/0-1V output for both %RH & Temperature

Applications

- HVAC
- Pharmaceutical Industry
- Blood stations, pharmacies
- Horticultural and cultivation of plants

Network Architecture



Specifications

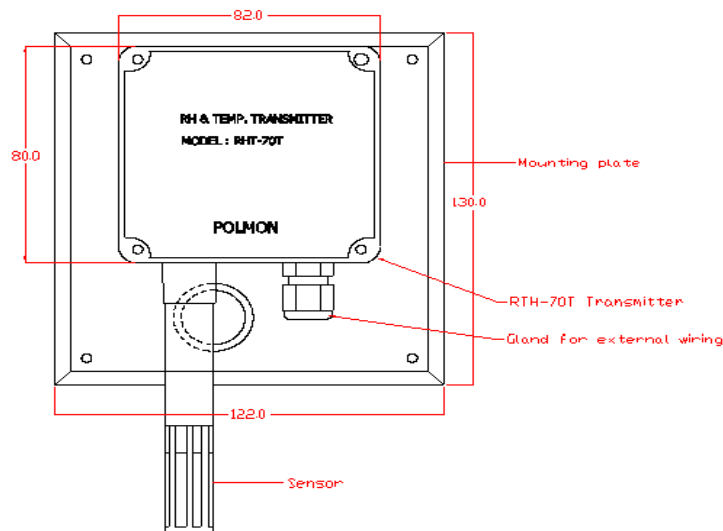
Technical	
Model No	RHT70T-X-X-X
Measurement Range	RH : 0 -100%RH Temp. : -40 to 60°C
Accuracy	RH : ±2% of FSR Temp.: ±0.3% of FSR
Response time	0.7Sec
Outputs	RH: 4 – 20mA/0-1V(Hardware selectable) Temp: 4 – 20mA/0-1V(Hardware selectable) Max Load resistance 500Ω for 4-20mA o/p Min Load resistance >10KΩ for 0-1V o/p
Calibration	0-1V o/p: Factory 4-20mA o/p: Field (Zero, Span)

Power Supply	
Power supply	24VDC, 60mA
Physical	
Dimensions (LxWxH)	130x122x60mm
Weight	0.3 Kg (NFLP) / 1.2 Kg (FLP)
Enclosure material	ABS Plastic (NFLP)/Aluminium Alloy (FLP)
Sensor material	ABS Plastic /SS304
Mounting	Wall Mounting, Flush Mounting
Environmental	
Operating Temperature	10-60°C
Humidity	10-95%RH, Non-Condensing

Ordering Information for RHT-70T			
RHT-70T	X	X	X
Model No	Mounting	Outputs	Sensor Housing Type
RHT70T	1-Wall Mounting	'X' (or) ' ' - RH – 4-20mA Temp – 4-20mA. '01' - RH – 4-20mA & 0-10V Temp – 4-20mA & 0-10V '03' - RH – 0-1V Temp – 0-1V	'X' (or) ' ' - ABS Plastic
	2-Duct Mounting		'1' - SS304
	3-Flush Mounting (Brick wall Mounting)**		'2' - SS304 with block
	4-FLP Duct Mounting *		
	5-FLP Wall Mounting*		

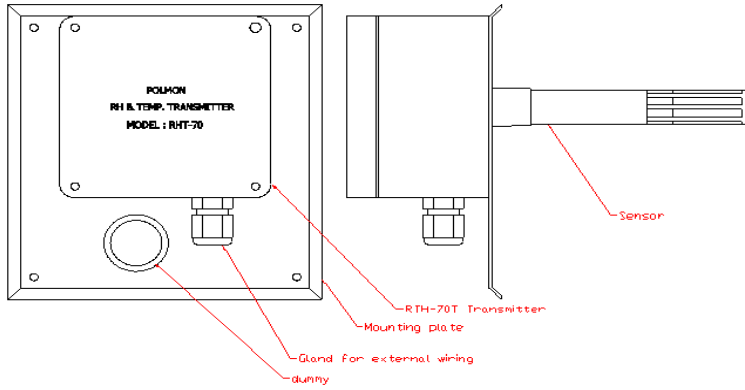
Note:
**Order compulsory for RHT70B-1-1 (Brick wall concealed Box)

Wall Mounting:

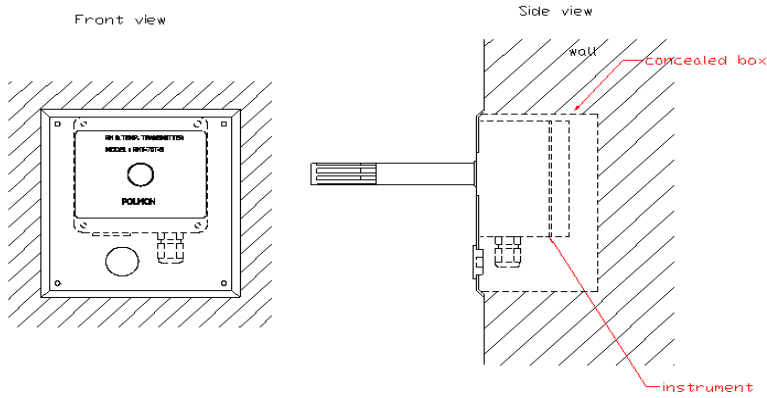


All Dimensions are in mm.
Tolerance : ± 1 mm.

Duct Mounting:



Flush Mounting:



RHT70T-4/5-X-X:

