

FLP CLEAN ROOM PROCESS MONITOR

DPI38I-F



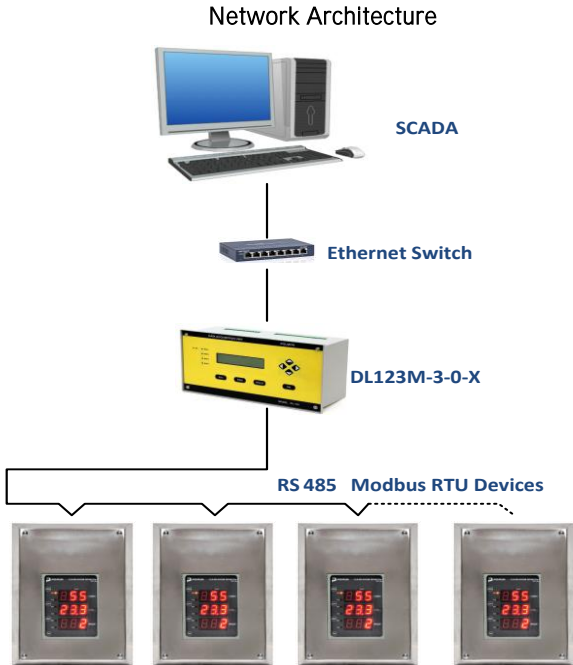
“DPI-38” is specially designed for Clean rooms to meet the requirement of Measurement, Display & Data logging of Relative Humidity, Temperature and Differential Pressure for meeting the Regulatory requirements in API’s & Formulations.

Features

- Flame Proof Enclosure for Zone1, Zone2 Gas Gr.IIA, IIB
- 1/2/3 Channel Display with 0.8” Seven Segment Red LED Display
- Wide range of Input Options for Remote Tx Interface
- Programmable Set points for each parameter (HI/LO) for Visual and LED Annunciation
- Process value violations display indication
- Password protected calibration & other programming modes
- Software Calibration & Ranging through Magnetic Reed Switches
- User configurable (enable/disable) Inbuilt Relay (1- NO, NC)
- Relay Output with Programmable Acknowledgement and Snoozing
- Opto Isolated RS-485 Communication (Optional) to transfer the data for storage through Proprietary protocol or MODBUS protocol
- MODBUS interface Max 31 Devices without Repeater
- Programmable Baud Rate selection 9600 / 19200 / 38400
- Hazardous area applications with SS Face plate, Modular wall flush mount for Clean Room Application
- Clean Room compatible Concealed Enclosure (Depth 40 mm)

Applications

- Environmental Monitoring for Clean Rooms



Specifications

Technical	
Model No	DPI381-X-X-X-X-X-X
No of Channel	1/2/3
Input Type	mA : 4-20mA, Voltage : 0-10V (Hardware configurable)
Measurement Range	DP : ±100mmWC / -199 to 980 Pascal RH : 0 to 100%RH Temp : -40°C to 60.0°C
Input Accuracy	DP: ±0.3 mmWC for -19.9 to 99.9 mmWC and ±1 mmWC for remaining / ±3 Pascal for -199 to 980 Pascal RH: ±1% for the range 0-100% Temperature: ±0.3°C for the range -19.9 to 60.0°C And ±1.0°C for remaining
Resolution	DP: Programmable RH: 1% Temp: 0.1°C
Output	Default: - Relay (1 - NO, NC) Output 1: - Communication (RS-485 - Proprietary / MODBUS/RTU)
Response time	1sec

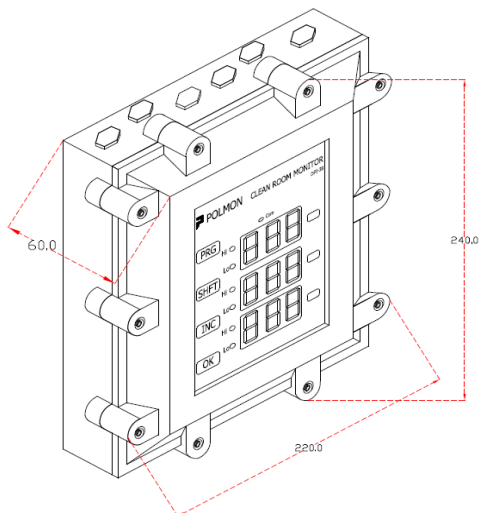
Display	CH1: 3 digit 0.8" seven segment, Red LED with Hi and Lo LED Indication CH2: 3 digit 0.8" seven segment, Red LED with Hi and Lo LED Indication CH3: 3 digit 0.8" seven segment, Red LED with Hi and Lo LED Indication
Keypad	Magnetic Reed Switches
I/P Impedance	mA : 100 Ω, Voltage: > 1MΩ
Power Supply	
Input Supply	20-36Volt AC/DC, 250mA
Physical	
Enclosure	Flame proof for Zone1, Zone2 Gas Gr.IIA, IIB
Enclosure	Aluminium alloy
Dimensions (HxWxD)	205x240x60 mm
Mounting	Wall Mounting (Default) / Flush Mount (with concealed box)
Environmental	
Operating Temperature	10 to 50 °C
Humidity	10-95%RH, Non-Condensing
General	
DPI38FB-X-X-X	SS face Plate with MS Box for modular wall flush mount installation (Wall depth 40mm)

Ordering Information for DPI381

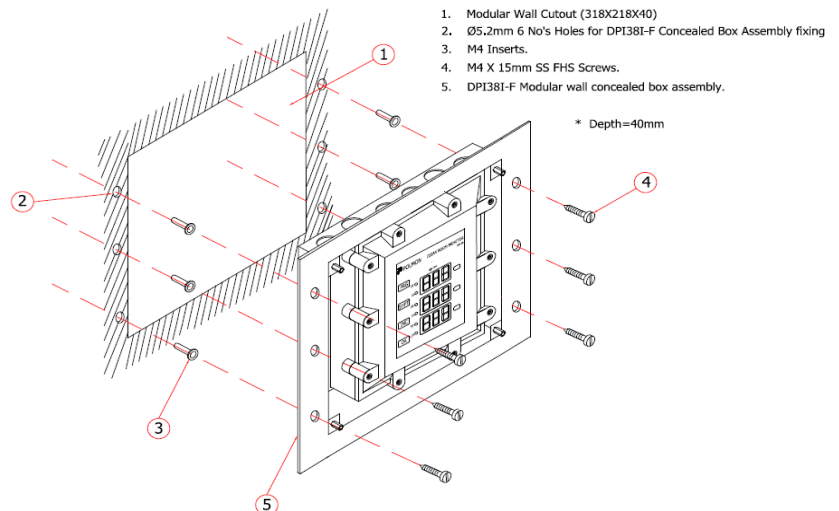
DPI381	X	X	X	X	X	X	X
Model No.	Enclosure Type	Display	Output1	Output2	Power	SS Plate Type	* DP [®] Sensor Range
DPI381	R-NFLP	1- DP [®] (Inbuilt Sensor)	1 - RS485	1 - NA	1-24VAC/DC	X-Screw type Bend Plate	1 - ±100.0mmWC/ ±1000 Pascal
	F-FLP	2- Temp (Inbuilt Sensor)		2 - 4-20mA (for Single I/P)		1-Push Fit	2 - ±12.5mmWC/ ±125Pascal
		3- RH + Temp (Inbuilt Sensor)				# 2-17mm Bend Plate	
		4- Temp + DP [®] (Inbuilt Sensor)					
		5- RH + Temp + DP [®] (Inbuilt Sensor)					
		**6- DP (Remote Input)					
		**7- Temp (Remote Input)					
		**8- RH + Temp (Remote Input)					
		**9- Temp + DP (Remote Input)					
		**10- RH + Temp + DP (Remote Input)					
		**11- Temp (Remote Input) + DP [®] (Inbuilt Sensor)					
		**12- RH + Temp (Remote Input) + DP [®] (Inbuilt Sensor)					

Specify Inbuilt Input Range, Unit & Resolution
 **-Specify Remote Input Range, Unit & Resolution
 Note: *-Specify units Pascal / mmWC

MECHANICAL DRAWING OF DPI381-F



INSTALLATION DRAWING OF DPI381-F



Head Office: POLMON INSTRUMENTS PVT.LTD
 (AN ISO 9001: 2015 Certified Company)
 "POLMON HOUSE" Nizampet Road, Kukatpally, Hyderabad-500085
 Ph No: 040-23053046, 23057308
 e-mail: polmon@polmon.com URL: www.polmon.com

All specifications are subject to change without notice.
 Doc. Ref. DPI381-F/160922/V1.3