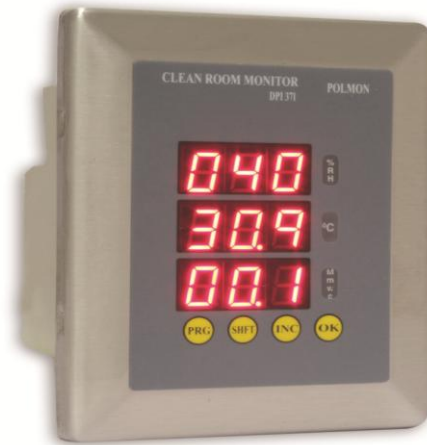


CLEAN ROOM MONITOR

DPI-371



“DPI-371” is specially designed for Clean rooms to meet the requirements of Differential pressure, Relative humidity and temperature measurement & display in process Industries. It is designed as the most convenient user Instrument with respect to Process values display and programming modes. The DPI-371 measures Differential pressure, Relative Humidity as well as Temperature and transfers data to Data logger for data storage

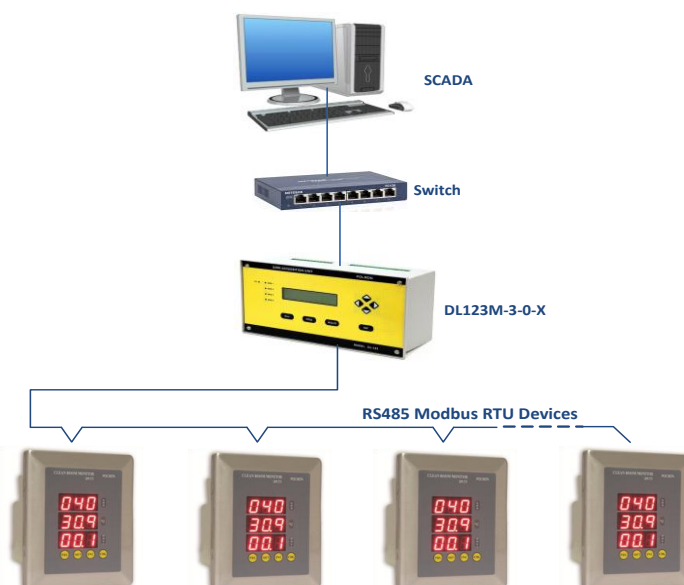
Features

- Inbuilt RHT & DP sensor, which avoids cable between Transmitter and Indicator (Optional)
- Remote transmitter Interface using 4-20mA or 0-10V (Optional)
- Opto Isolated RS-485 Communication to transfer the data for storage
- 3 displays for displaying DP, RH and Temperature Individually
- Process value violations display indication
- User selectable set limits for process value violations
- Relay output for external hooter (optional)
- Software calibration
- Inbuilt Buzzer to provide audible Process value violation
- Option to enable or disable buzzer
- Password protected calibration & other programming modes
- Option to interface data logger proprietary protocol or PLC Communication MODBUS protocol
- Compact size
- Designed to mount on either Modular wall or RCC wall with the help of concealed boxes

Applications

- HVAC
- Pharmaceutical Industry
- Blood stations, pharmacies
- Horticultural and cultivation of plants

Network Architecture



Specifications

Technical

	Inbuilt Sensor	External Sensor
Model No	DPI-371-X-X-X-X-X	
No of channel	1/2/3	
Input type	RH, Temperature & DP	
Measurement Range	DP: ±100mmWC RH : 0 -100%RH Temp. : 0 to 60°C	mA : 4-20, Voltage : 0-10 (Hardware Configurable)
Input Accuracy	DP: ±1.5% FSR RH: ±2% for the range 10 to 90% and ±3% for remaining Temperature: ±0.4°C for the range 0.0 to 60.0°C	Programmable
Resolution	DP: Depends upon the selected measured units RH: 1% Temp: 0.1°C	0.15% of FSR ±1Count
Communication	RS485 Proprietary / Modbus RTU	
Relay Output	NA	1- C, No, NC (Optional)
Response time	DP: 1Sec RH& Temp: Typically 12sec	1 sec
Buzzer	In built Buzzer provided to beep in set values violated condition	
Display	0.39" 3 Digit Seven Segment LED Display	
Keypad	Tactile keys	

Power Supply

Input Supply	24VDC, 200mA
--------------	--------------

Physical

Enclosure	MS Box with SS faceplate
Dimensions (L X W X D)	73X72X40 mm
Mounting Options	Brick/Modular Wall mounting
Weight	0.5Kg. (Approx.)

Environmental

Operating Temperature	10-50°C
Humidity	10-95%RH, Non-Condensing

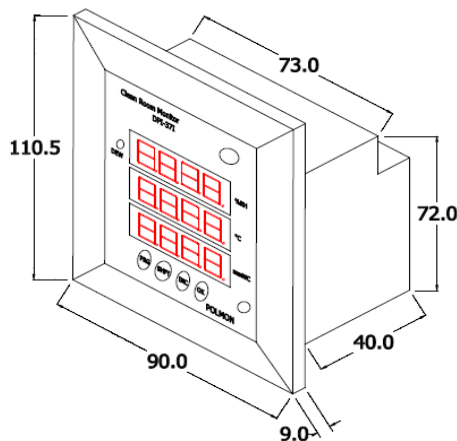
Note: accessories are not included and order separately

Ordering Information for DPI-371

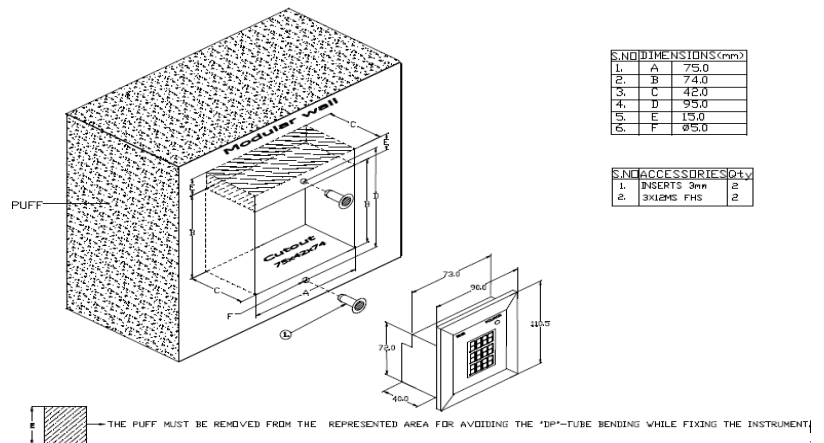
Model No	Enclosure Type	RH Input	Temp Input	DP Input	Future Use
DPI-371	R – NFLP	0 – No	0 – No	0 – No	X – RS485
	F – FLP	*1– Remote	*1– Remote	*1– Remote	1– RS485+Relay
		2 – Inbuilt Sensors	2 – Inbuilt Sensors	2 – Inbuilt Sensor ±100.0mmWC/ ±1000 Pascal	
		3 – Inbuilt External Sensor	3 – Inbuilt External Sensor	3 – Inbuilt Sensor ±12.5mmWC/ ±125Pascal	

*Note: 1. Specify the input high range & Low range.
2. Specify input Type 0-10V/4-20mA.
**-Specify units Pascal / mmWC

MECHANICAL DRAWING OF DPI371



INSTALLATION DRAWING OF DPI371



S.NO		DIMENSIONS (mm)	
1.	A	75.0	
2.	B	74.0	
3.	C	42.0	
4.	D	35.0	
5.	E	15.0	
6.	F	Ø5.0	

S.NO		ACCESSORIES Qty	
1.	INSERTS	3mm	2
2.	3X12MS FHS		2