

RTD CALIBRATOR

PT100



RTD Calibrator (Model: PT-100) comes from POLMON ranges of Calibrators. The calibrator is designed to make calibrations convenient, quick and accurate

RTD calibrator is a handheld tool for calibrating RTD Measuring Instruments, including most pulsed transmitters. It also simulates and measures resistance in units of ohms.

Features

- Fixed precision resistors to eliminate drift
- 6 selectable Calibration Ranges
- ETDC certification. (Optional)

Applications

- Used for calibrating temperature-measuring instruments having RTD inputs

Specifications

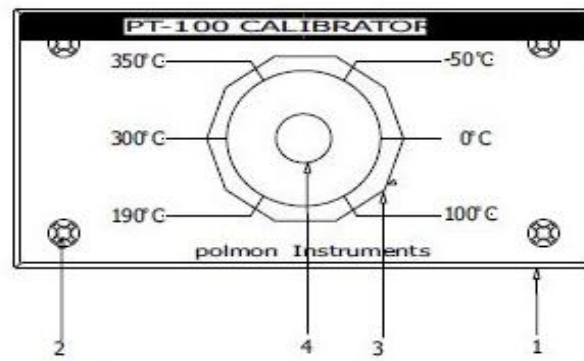
Technical	
Model No	PT-100
Temperature Ranges	-50°C, 0°C, 100°C, 199°C, 300°C, 350°C
Accuracy	0.1% of the selected range.
Selection	Manual
Termination	Clips

Physical	
Enclosure	ABS plastic
Dimensions	95x48x38mm
Weight	0.135Kg.

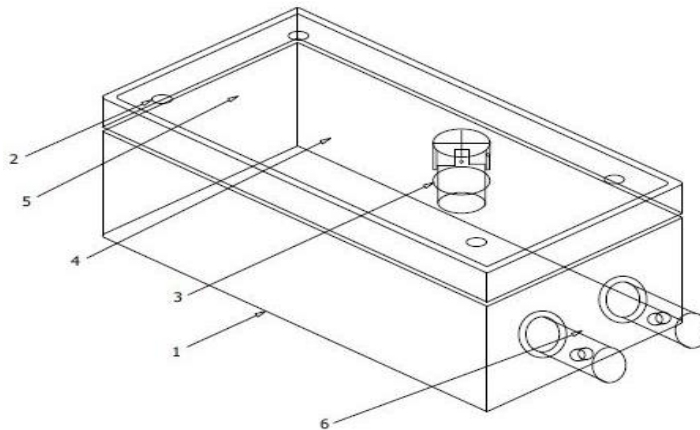
Environmental	
Operating Temperature	10-50°C
Humidity	10-95% RH, Non-condensing

Ordering Information for PT100	
PT100	X
<i>Model No</i>	<i>Range</i>
PT100	01 – Standard (-50, 0, 100, 199, 300, 350)

MECHANICAL DRAWING OF PT100



1. Plastic Box
2. Box Screws (M3X12)
3. Rotating Switch
4. Box hole



1. Plastic Box 94X48mm
2. Screw Holes
3. Rotating Switch
4. SPDT
5. LED
6. BNC Male Connector