

Ph CALIBRATOR

CAL130



pH Calibrator (Model : CAL130-01) comes from POLMON ranges of Calibrators. The calibrator is designed to make calibrations convenient, quick and accurate.

Features

- Selectable Calibration Ranges are 0.00pH, 4.00, 7.00pH, 10.00pH, 14.00pH with Low & High Impedances
- Quick plug in for BNC & Screw terminal equipments
- Small & effective cost

Applications

- pH Instruments

Specifications

Technical

Model No	CAL130		
Measurement mode	Measuring Range	Resolution	Accuracy
Ph	0-14	0.01	±0.01
mV	1200mV	1	±1
Output	Shows pH Value		

Physical

Material	High Impact ABS
Colour	Light Grey
Dimension	7.8 X 3.8 Cm
Weight	2.0 Kg

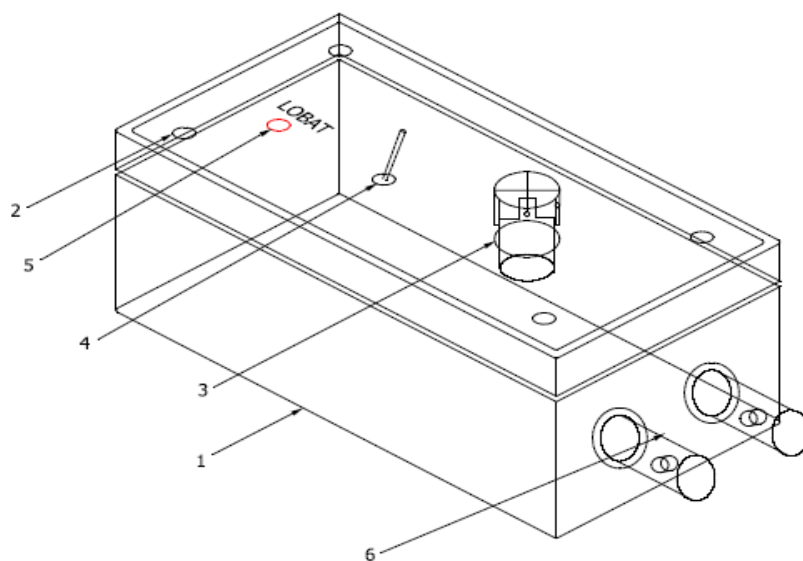
Environmental

Operating Temperature	10 to 50 °C
Humidity	10-95%RH, Non-Condensing

Ordering Information for CAL-130

<i>Model No.</i>	<i>Range</i>
CAL130	01-Standard (0.00pH, 4.00pH, 7.00pH, 10.00pH, 14.00pH)

MECHANICAL DRAWING OF CAL 130



1. Plastic Box 94X48mm
2. Screw Holes
3. Rotating Switch
4. SPDT
5. LED
6. BNC Male Connector