

DIN TEMPERATURE INDICATOR

MODEL No: DPI-200

Polmon's series of temperature instruments are specially designed and manufactured for the measurement of temperature in process industries like chemical, pharmaceutical, cement etc. where temperature plays a vital role and its measurement & control require being accurate.

Over 10 years of dedicated research has led to design of very reliable series of Temperature/Process indicators. The instruments are versatile, easy to install & have wide options to suit customer requirements.



Features:

- Standard ¼ DIN.
- Built in RTD sensor linearization.
- Test & calibration cert. traceable to national standards.
- 3-point calibration for RTD input.
- 3 wire RTD, lead wire resistance compensation.
- 3 ½Digit, 0.5 inch, 7 Segment RED LED High Intensity display.
- Sensor Open / Burnout indication.

Specifications:

Model No.	DPI-200-1	DPI-200-2	DPI-200-3	DPI-200-4
Enclosure	Din size box. (96 X 96 X 170 mm)			
NO. of Inputs	1			
Input type	RTD Pt100 (DIN 43760 Std.) 3 Wire		Thermocouples*	
			J	K
Measuring Range	-50°C to 200°C	-50°C to 350°C	0 °C to 500 °C	0 °C to 1200 °C
Resolution	0.1°C	1°C	1°C	
Accuracy	± 0.1 % of Full Scale (or) ±1 count		± 1.0 % of Full Scale	
Calibration	3 point calibration (0%, 50%, 100% of Full scale)		Zero – Span	
Cold junction compensation	NA		Automatic	
Display	3 ½ digit ½ ", 7 Segment, high intensity Red LED's			
Mounting	Panel mounting			
Environmental Ranges	1. Operating temp. : 5 to 45 °C 2. Storage temp. : 5 to 65 °C 3. Humidity : Less than or equal to 80% RH non-condensing.			
Power	220V AC, 50 Hz, 10 VA.			
Weight	1.4 Kg (approx.)			

*Other inputs provided on request.

Standard Supply:-

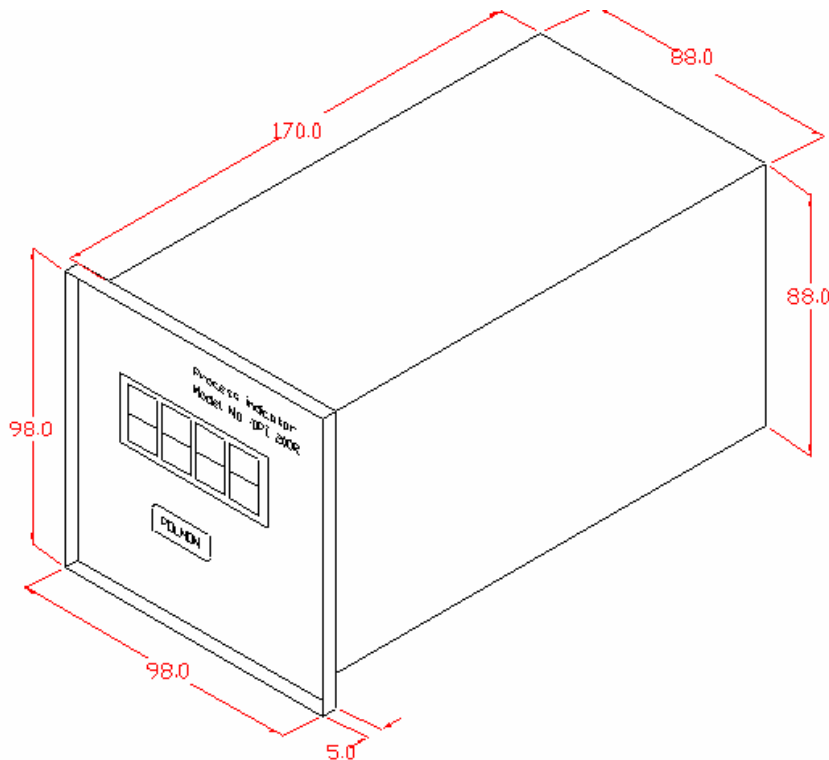
- Test & calibration certificates.
- Instruction manual.
- Warranty certificate.

Optional Accessories:-

- Temperature Calibrators.
- Temperature sensors.

* Ask product catalogs for more information.

Mechanical Drawings:-



All Dimensions are in mm.
Tolerance: ± 2 mm.

Ordering Information: -

Refer specifications for model numbers.

APPLICATIONS:

This instrument is designed for measurement of process temperature in:

- Ovens
- Driers
- Boilers
- Furnaces etc.

For Further Information Contact:

POLMON INSTRUMENTS PVT.LTD

(AN ISO 9001: 2000 Certified Company)

“POLMON HOUSE” Nizampet Road, Kukatpally, Hyderabad – 500 072

Ph No: 040-23053046, 23057308, 23055970, 23057642

Customer Care: 040-23892920 Fax: 040 – 23055425

e-mail: polmon@polmon.com URL: www.polmon.com